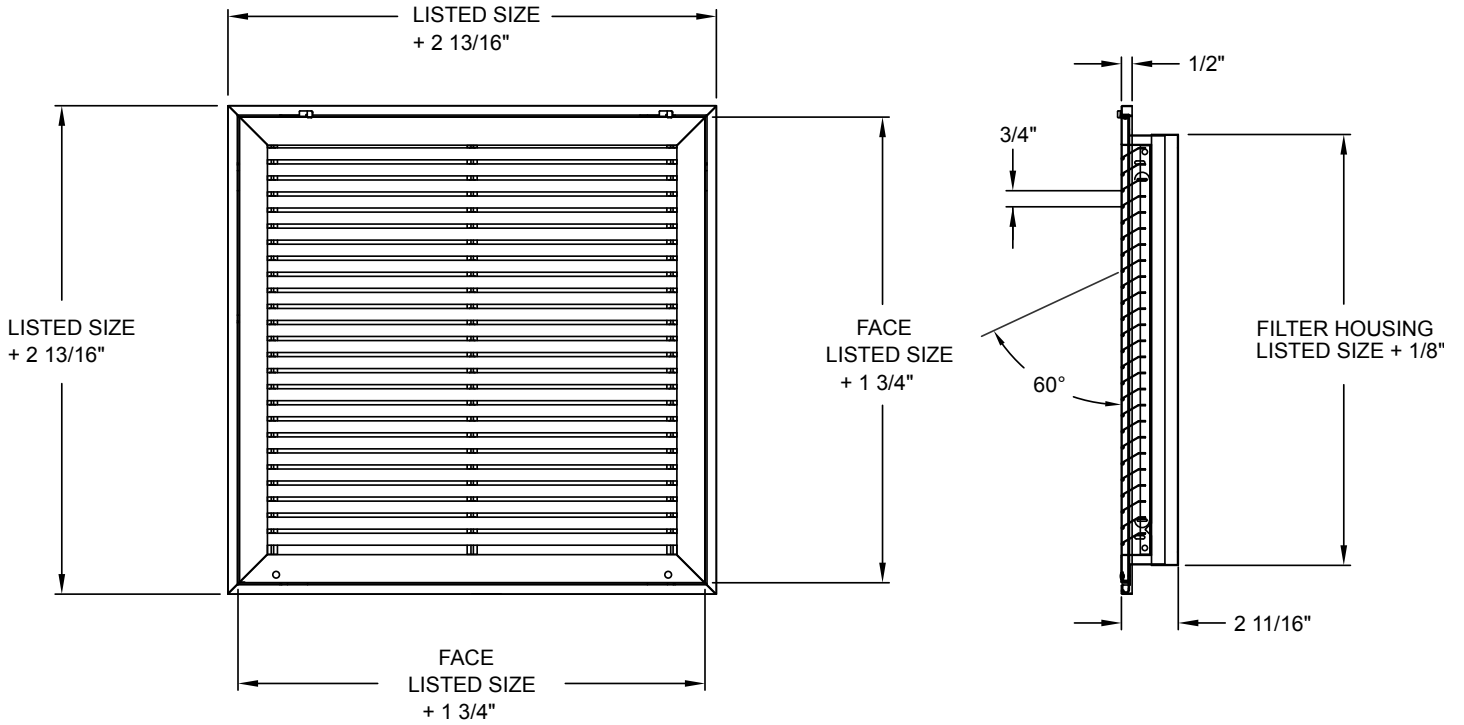




Continental Industries, Inc.  
 100 West Windsor Avenue  
 Elkhart, Indiana 46514  
 Phone: 800.735.5272 • Fax: 574.262.2075  
 Email: info@continentalindustries.com  
 Web: www.continentalindustries.com

# Submittal Drawing & Form



- | Description                                                   |
|---------------------------------------------------------------|
| <input type="checkbox"/> Flush, Removable Face                |
| <input type="checkbox"/> Concealed Hinges & Latches           |
| <input type="checkbox"/> Bars Fixed at 60° Deflection         |
| <input type="checkbox"/> Commercial Grade, Steel Construction |
| <input type="checkbox"/> Uses 1" Filter (not included)        |
| <input type="checkbox"/> White finish                         |

Project Details	Submitted by:	FBFG Series FBFG
Job Title:		
Location:		
Architect:		
Engineer:		
Contractor:	Date:	SD-FBFG-01