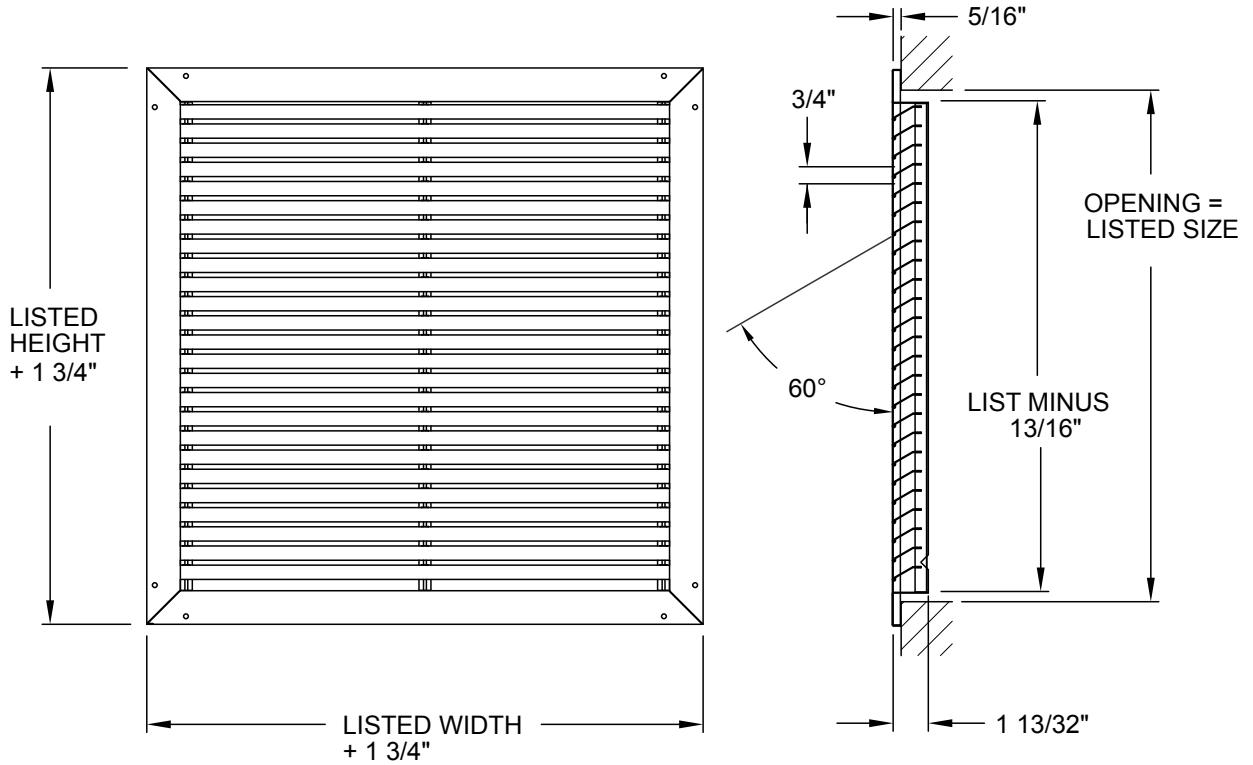




Continental Industries, Inc.
 100 West Windsor Avenue
 Elkhart, Indiana 46514
 Phone: 800.735.5272 • Fax: 574.262.2075
 Email: info@continentalindustries.com
 Web: www.continentalindustries.com

Submittal Drawing & Form



- | Description |
|--|
| <input type="checkbox"/> Horizontal, Roll-Form Face Bars |
| <input type="checkbox"/> Supply or Return Usage |
| <input type="checkbox"/> Bars Fixed at 60° Deflection |
| <input type="checkbox"/> Commercial Grade, Aluminum Construction |
| <input type="checkbox"/> White finish |

Project Details	Submitted by:	AFBG60 Series AFBG60
Job Title:		
Location:		
Architect:		
Engineer:		
Contractor:		
Date:		SD-AFBG60-01