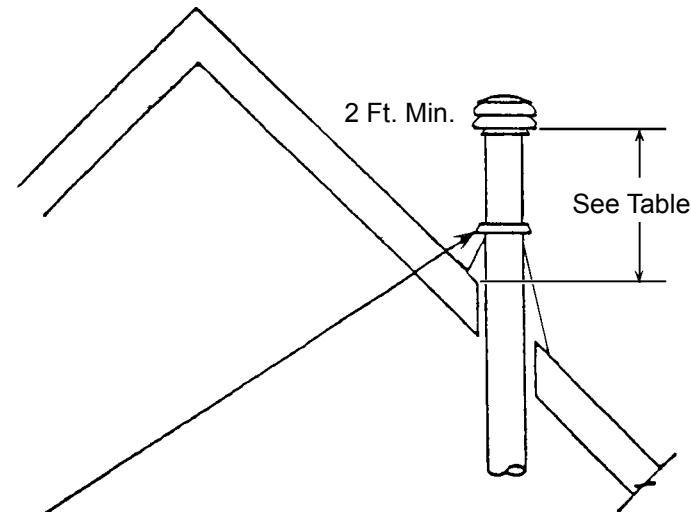


INSTALLATION INSTRUCTIONS



TYPE B GAS VENT Termination Instructions

Figure 1. Jet Cap 3" thru 12"

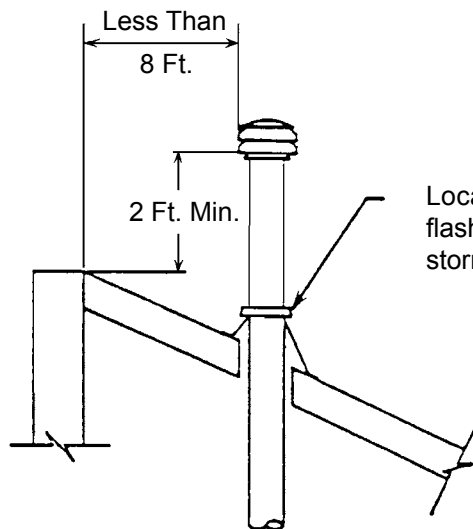


Locate storm collar approximately 1/2" above flashing and water proof joint between vent and storm collar. Do not seal pipe to flashing itself.

Fig 1. This cap is suitable for installation on listed gas vents 12" I.D. and under terminating a sufficient distance from the roof so that no discharge opening is less than 2 feet horizontally from the roof surface, and the lowest discharge opening will be no closer than the minimum height specified below. These minimum heights may be used provided that the vent is not less than 8 feet from any vertical wall.

Roof Pitch	Minimum Height from Roof to Lowest Discharge Opening. (Ft.)
Flat to 6/12	1.00
6/12 to 7/12	1.25
Over 7/12 to 8/12	1.50
Over 8/12 to 9/12	2.00
Over 9/12 to 10/12	2.50
Over 10/12 to 11/12	3.25
Over 11/12 to 12/12	4.00
Over 12/12 to 14/12	5.00
Over 14/12 to 16/12	6.00
Over 16/12 to 18/12	7.00
Over 18/12 to 20/12	7.50
Over 20/12 to 21/12	8.00

Figure 2. Other than above



Locate storm collar approximately 1/2" above flashing and water proof joint between vent and storm collar. Do not seal pipe to flashing itself.

Fig 2. For installations other than covered by the table above. 14" dia. and over or closer than 8 feet to any vertical wall, the cap shall be not less than 2 feet above the highest point where the vent passes through the roof and at least 2 feet higher than any portion of a building within 10 feet.

AirJet, Inc. - 2101 Kinro Ct. - Elkhart, IN 46516
Phone 866-3AIRJET Facsimile 574-262-2075