

INSTALLATION INSTRUCTIONS



STYLE G SNAP FAST TYPE B GAS VENT

NOTE: To assemble vents: line up seams on two pieces making joint, insert male end until lock “snaps”- proper depth indicated by a dash mark 1 1/2” from male end of pipe.

1. These vents may be used to vent listed gas appliances except those appliances which are required to be connected to chimneys. Appliances which may be vented with these vents include unit heaters, duct furnaces, attic furnaces, floor furnaces, water heaters, room space heaters, central warm air furnaces, hot water boilers and steam boilers.
2. Appliances which must be connected to chimneys include all incinerators, all appliances which may be converted readily to the use of solid or liquid fuels, combination gas-oil burning appliances, and unlisted appliances.
3. Starting at draft diverter mounted on furnace or appliance use AirJet vent and fittings to make up a complete vent.
4. Maximum height of vent to be supported by one base support assembly (BA) should not exceed 30 feet. Additional supports may be used for higher vents.
5. Vent may be terminated with top of Jet Cap (JC) or Decorative Housing 24” above sheathing.
6. Sizes 3-8” round (Style G) vents may be completely enclosed provided 1” minimum clearance from combustibles is maintained. Portions of vents which may extend through accessible spaces should be enclosed to avoid personal contact with and damage to the vent. Maintain 1 1/2” clearance for sizes 10” and 12”.
7. All vent parts to be installed with arrow pointing in the direction of gas flow.
8. Use only AirJet rain cap (Jet Cap) or AirJet Decorative Housing at termination of vent.
9. Locate Storm Collar (SC) approximately 1” above boot flashing and waterproof joint between vent and storm collar with roofing or furnace cement.
10. Provide 26 ga. metal firestops (-GF) at each floor level. Locate firestop on flooring or subflooring to prevent saw dust and chips collecting against vent. Frame opening to attic on all four sides and place firestop on top of attic floor or joists to prevent insulation or other debris from contact with vent pipe.
11. These instructions apply to 3-12” AirJet Style G round gas vent fittings when used as B Vent. For installation of AirJet 14-24” round gas vent and fittings see instruction sheet INS-210A.
12. When Decorative Housing is installed instead of rain cap use only AirJet Housings. The use of AirJet approved housings is necessary to prevent condensation. Vent pipe to overlap housing connector at least 2”.
13. For installation of Decorative Housings see installation instructions printed on housing carton.
14. To be installed in accordance with the National Building Code recommended by the National Fire Protection Association standards for Chimneys, Fire Places and Venting Systems (NFPA-211)

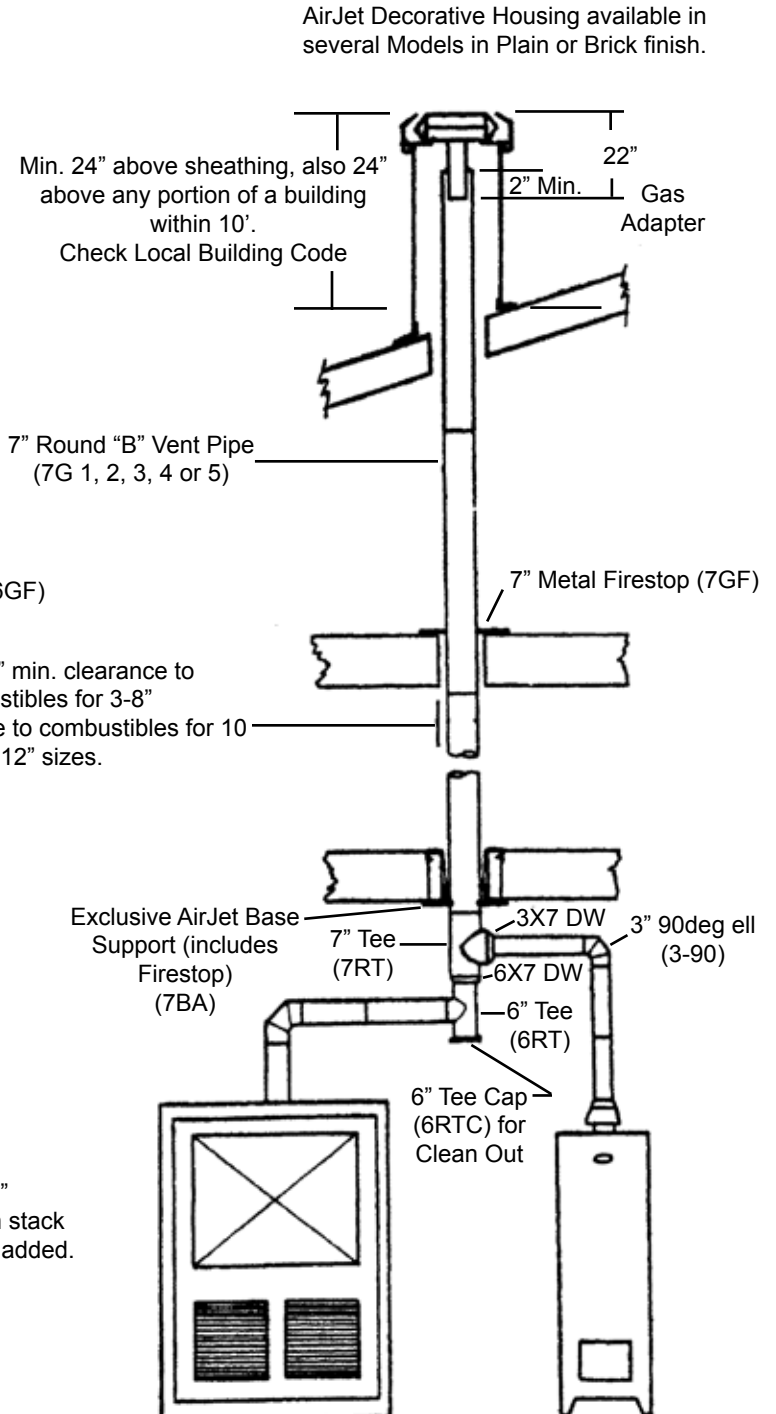
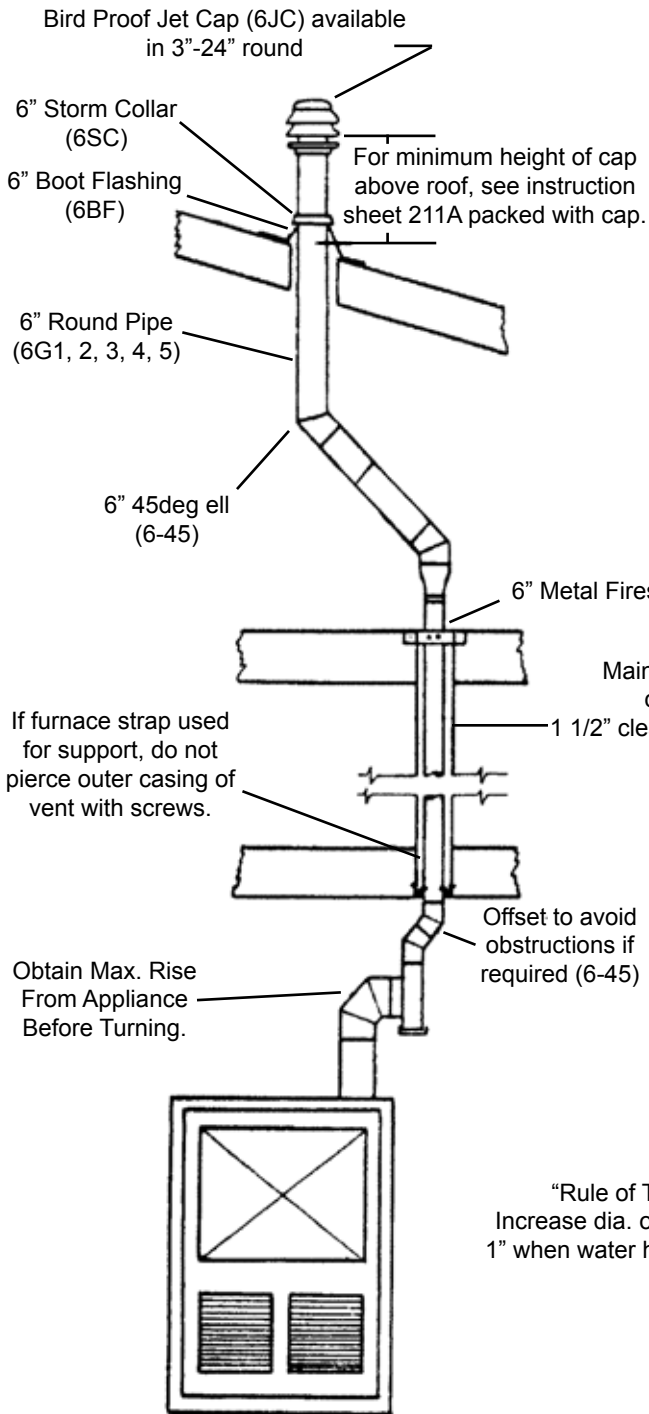
NOTE: The inspection by a qualified professional of the gas vent prior to heating season which includes the removal of the termination cap, when the termination cap is removable, is mandatory to confirm an unrestricted vent.

INSTALLATION INSTRUCTIONS

AIRJET®

SNAP FAST

Type B Gas Vent showing use of Fittings, etc.
 (Cat. No. shown in parenthesis)
 Available in 3" to 24" Round Pipe



Note: If single wall (Type C) fittings are used between gas appliance and vent assembly (BA) provide 6" clearance from combustible.

AirJet Type B gas vents are accepted by F.H.A and V.A.

Appliance to be vented should be placed as near to vertical vent as possible.

AirJet, Inc. - 2101 Kinro Ct. - Elkhart, IN 46516
Phone 866-3AIRJET Facsimile 574-262-2075